



180 Lafayette Road
 North Hampton, NH 03862-2448
 PH: 603-964-3165
 FX: 603-964-3168
 WWW.PDEELECTRONICS.COM

Rectifier Bridge Assembly

3 Amp Single Phase Bridge
 SDA276A – SDA276G

FEATURES

- High Rel Screen Screening Available
- Glass Passivated Junctions
- Standard and Fast Recovery
- Miniature Design
- High Surge Rating
- Reverse Voltage: to 1000V
- Average Output Current: 3A @ 55°C

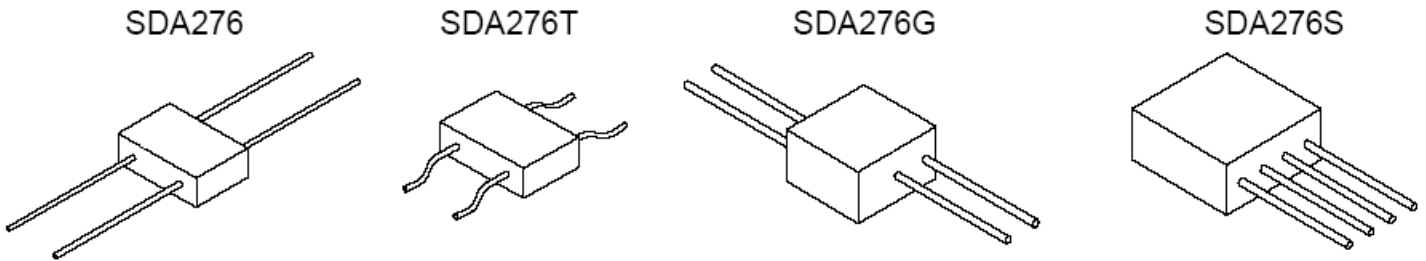
SDA276

Screening
 = Not Screened
 MX = MX Level

Package
 = SDA276 G = SDA276G
 T = SDA276T S = SDA276S

Reverse Recovery
 = Standard Recovery Time
 F = Fast Recovery Time

Peak Inverse Voltage
 A = 50 V, B = 100 V, C = 200 V, D = 400 V,
 E = 600 V, F = 800 V, G = 1,000 V



ABSOLUTE MAXIMUM RATINGS

Average DC Output Current ($T_C=55^\circ\text{C}$).....	3 Amps
Average DC Output Current ($T_C=100^\circ\text{C}$).....	2 Amps
Maximum Surge Current (8.3mS, half sine, $T_J=55^\circ\text{C}$).....	30 Amps
Storage and Operating Temperature.....	-65°C to 150°C

ELECTRICAL CHARACTERISTICS

Device	PIV Per Leg	Sine Wave RMS Input Voltage Max	Max Reverse Leakage Current Per Leg		Max Reverse Recovery Time*		Max Forward Voltage Per Leg $I_{FM}=3A$	
			μA		μS	nS	Volts	
	Volt	Volt	$T_A=25^\circ\text{C}$	$T_A=100^\circ\text{C}$	Std	Fast	Std	Fast
SDA276A	50	35	2	40	1	150	1.2	1.3
SDA276B	100	70	2	40	1	150	1.2	1.3
SDA276C	200	140	2	40	1	150	1.2	1.3
SDA276D	400	280	2	40	1	150	1.2	1.3
SDA276E	600	420	2	40	1	150	1.2	1.3
SDA276F	800	560	2	40	1	150	1.2	1.3
SDA276G	1000	700	2	40	1	150	1.2	1.3

* $I_F=0.5A$, $I_R=1.0A$, $I_{rec}=0.25A$, measured on discretes prior to assembly

Specifications subject to change without notice to ensure a better product

PD&E Electronics 180 Lafayette Rd. North Hampton, NH 03862
 Ph: (603) 964-3165 Fx: (603) 964-3168 Web: WWW.PDEELECTRONICS.COM

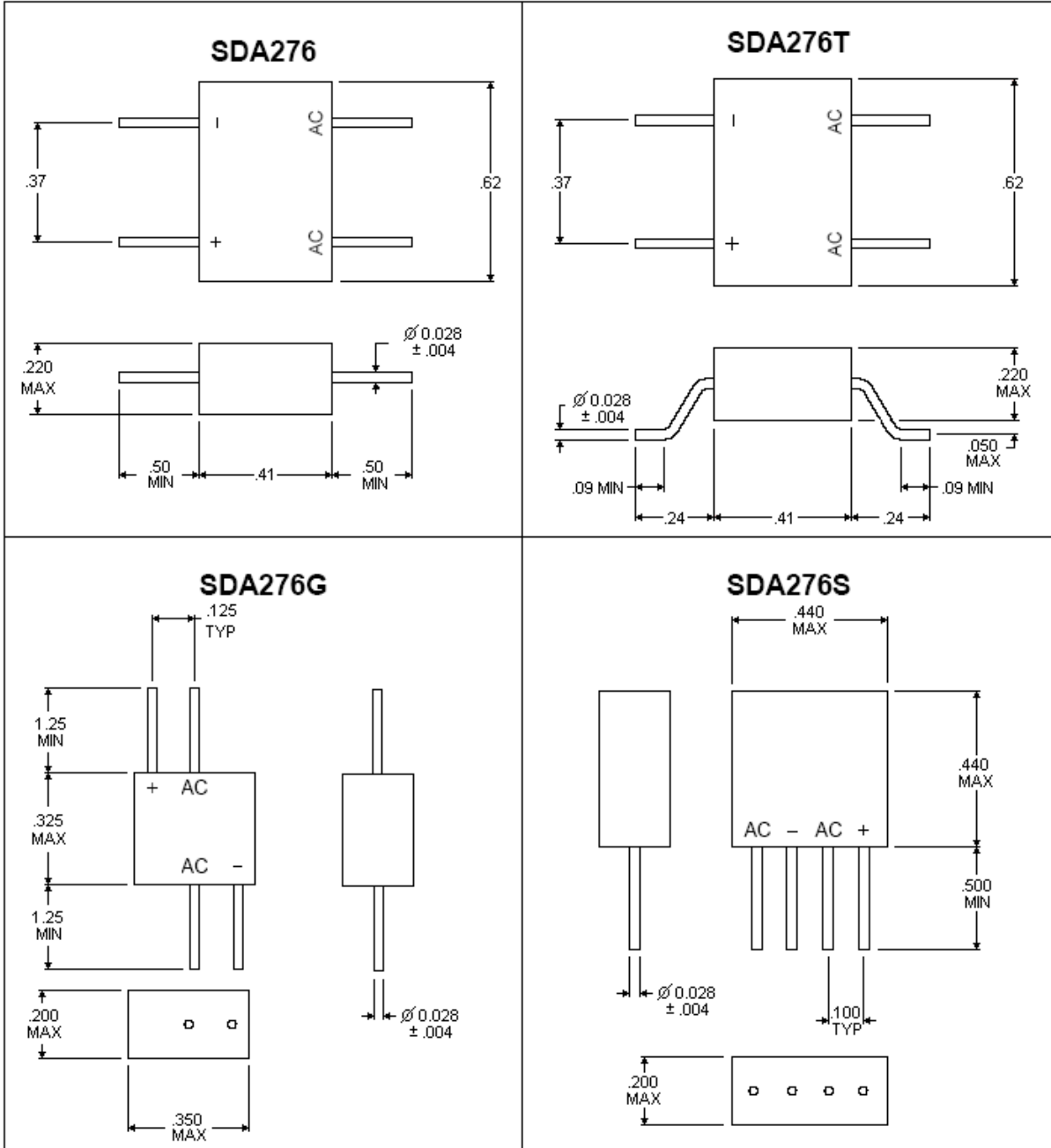


180 Lafayette Road
 North Hampton, NH 03862-2448
 PH: 603-964-3165
 FX: 603-964-3168
 WWW.PDEELECTRONICS.COM

Rectifier Bridge Assembly

3 Amp Single Phase Bridge
 SDA276A – SDA276G

MECHANICAL CHARACTERISTICS (All Dims are in Inches)



MARKING:

+	Red Dot	PDE
-	Black Dot	Part Number
AC	Yellow Dot	Date Code

Specifications subject to change without notice to ensure a better product
PD&E Electronics 180 Lafayette Rd. North Hampton, NH 03862
 Ph: (603) 964-3165 Fx: (603) 964-3168 Web: WWW.PDEELECTRONICS.COM